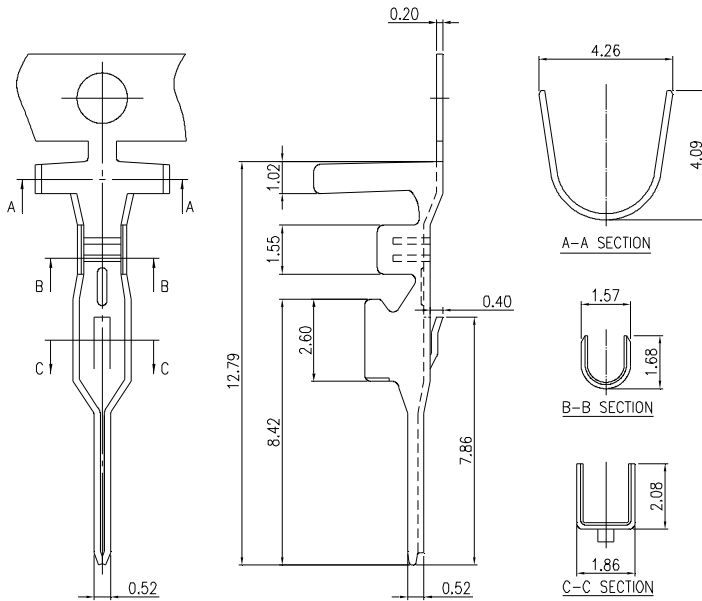


MMI

**WAFER, HOUSING & TERMINAL
PITCH: 4.00x4.00mm**

TERMINAL- MCx 001 (MALE)



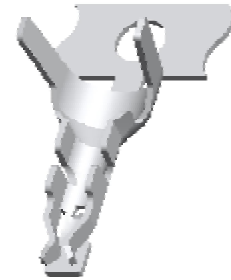
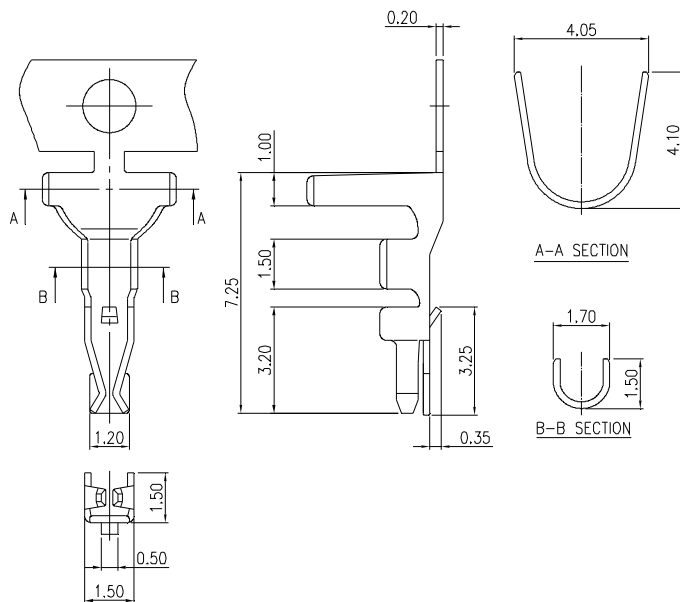
SPECIFICATIONS

VOLTAGE RATING: 600V AC/DC
 CURRENT RATING: 1A AC/DC
 WITHSTAND VOLTAGE: 1800V AC/MINUTE
 INSULATOR RESISTANCE: 1000M OHM MIN.
 TEMPERATURE RANGE: -25°C ~ +85°C
 CONTACT RESISTANCE: 20m OHM MAX.
 APPLICABLE WIRE: AWG #22 ~ #28

MATERIALS

BASE: PHOSPHOR BRONZE
 FINISH: TIN PLATED
 THICKNESS: 0.20mm
 INSULATOR O.D.: 2.40mm MAX.

TERMINAL- MCx 001 (FEMALE)



SPECIFICATIONS

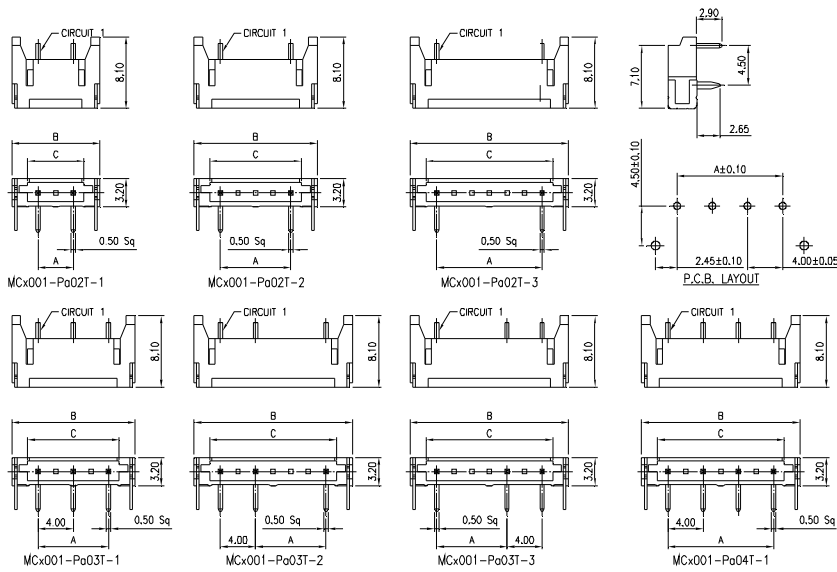
VOLTAGE RATING: 600V AC/DC
 CURRENT RATING: 1A AC/DC
 WITHSTAND VOLTAGE: 1800V AC/MINUTE
 INSULATOR RESISTANCE: 1000M OHM MIN.
 TEMPERATURE RANGE: -25°C ~ +85°C
 CONTACT RESISTANCE: 20m OHM MAX.
 APPLICABLE WIRE: AWG #22 ~ #28

MATERIALS

BASE: PHOSPHOR BRONZE
 FINISH: TIN PLATED
 THICKNESS: 0.20mm
 INSULATOR O.D.: 2.40mm MAX.

NOTE : SOME SIZES, STYLES AND OPTION ARE NON-STANDARD, NON-CANCELLABLE, NON-RETURNABLE

4.00 mm WAFER - MCx 001 RIGHT ANGLE TYPE - Pa

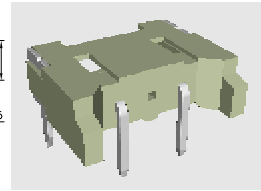


SPECIFICATIONS

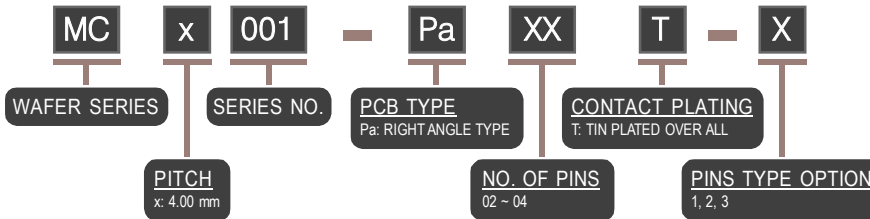
VOLTAGE RATING: 600V AC/DC
 CURRENT RATING: 1A AC/DC
 WITHSTAND VOLTAGE: 1800V AC/MINUTE
 INSULATOR RESISTANCE: 1000M OHM MIN.
 TEMPERATURE RANGE: -25°C ~ +85°C
 CONTACT RESISTANCE: 20m OHM MAX.

MATERIALS

BASE: NYLON 6T, UL 94V-0
 CONTACT: BRASS, TIN PLATED
 SOLDER TABS: BRASS, TIN PLATED

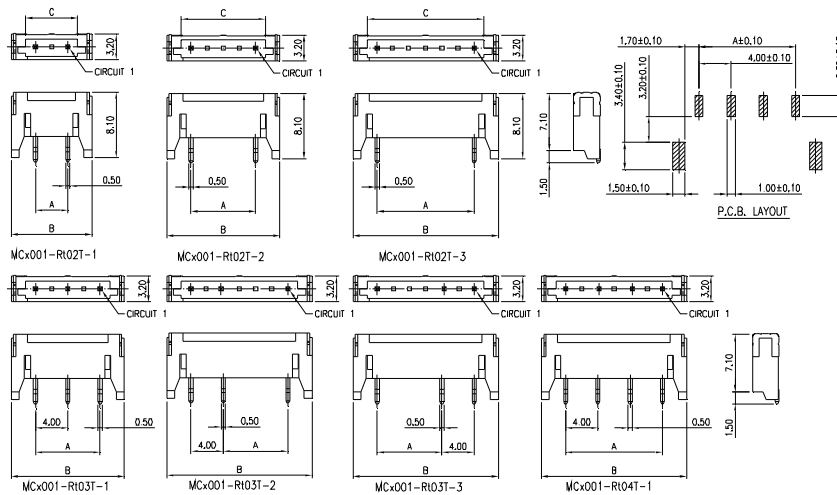


PART NO.	CIRCUITS	DIMENSION		
		A	B	C
MCx001-Pa02T-1	2	4.00	10.00	6.40
MCx001-Pa02T-2	2	8.00	14.00	10.40
MCx001-Pa02T-3	2	12.00	18.00	14.40
MCx001-Pa03T-1	3	8.00	14.00	10.40
MCx001-Pa03T-2	3	8.00	18.00	14.40
MCx001-Pa03T-3	3	8.00	18.00	14.40
MCx001-Pa04T-1	4	12.00	18.00	14.40



MATING CONNECTOR	
PRODUCT	PART NO.
HOUSING	MCx001-__-HF
TERMINAL	MCx001-TF

4.00 mm WAFER - MCx 001 RIGHT ANGLE SURFACE MOUNT TYPE - Rt

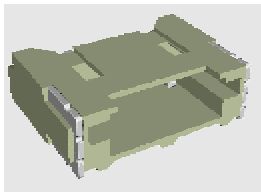


SPECIFICATIONS

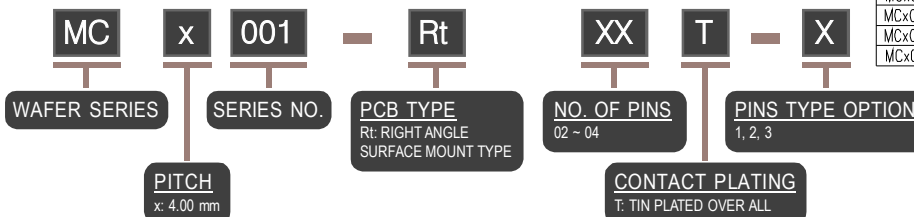
VOLTAGE RATING: 600V AC/DC
 CURRENT RATING: 1A AC/DC
 WITHSTAND VOLTAGE: 1800V AC/MINUTE
 INSULATOR RESISTANCE: 1000M OHM MIN.
 TEMPERATURE RANGE: -25°C ~ +85°C
 CONTACT RESISTANCE: 20m OHM MAX.

MATERIALS

BASE: NYLON 6T, UL 94V-0
 CONTACT: BRASS, TIN PLATED
 SOLDER TABS: BRASS, TIN PLATED



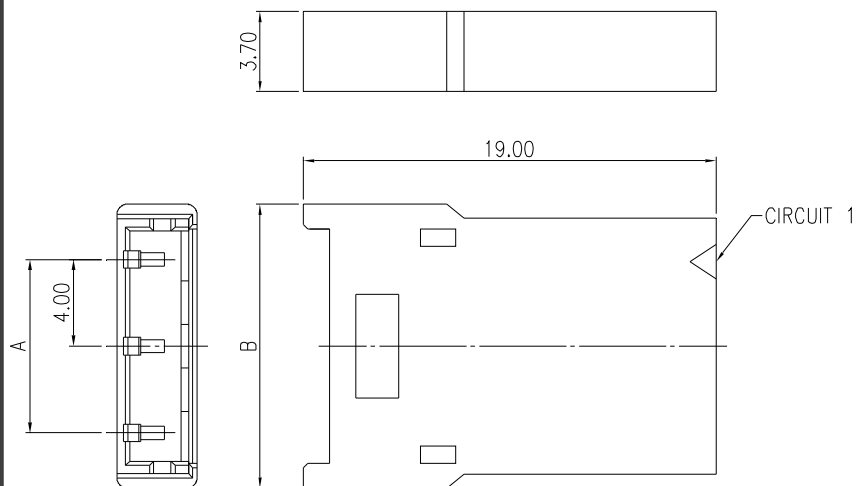
PART NO.	CIRCUITS	DIMENSION		
		A	B	C
MCx001-Rt02T-1	2	4.00	10.00	6.40
MCx001-Rt02T-2	2	8.00	14.00	10.40
MCx001-Rt02T-3	2	12.00	18.00	14.40
MCx001-Rt03T-1	3	8.00	14.00	10.40
MCx001-Rt03T-2	3	8.00	18.00	14.40
MCx001-Rt03T-3	3	8.00	18.00	14.40
MCx001-Rt04T-1	4	12.00	18.00	14.40



MATING CONNECTOR	
PRODUCT	PART NO.
HOUSING	MCx001-__-HM
TERMINAL	MCx001-TF

NOTE : SOME SIZES, STYLES AND OPTION ARE NON-STANDARD, NON-CANCELLABLE, NON-RETURNABLE

4.00 mm HOUSING - MCx 001 (MALE)



SPECIFICATIONS

VOLTAGE RATING: 600V AC/DC
 CURRENT RATING: 1A AC/DC
 WITHSTAND VOLTAGE: 1800V AC/MINUTE
 INSULATOR RESISTANCE: 1000M OHM MIN.
 TEMPERATURE RANGE: -25°C ~ +85°C
 CONTACT RESISTANCE: 20m OHM MAX.

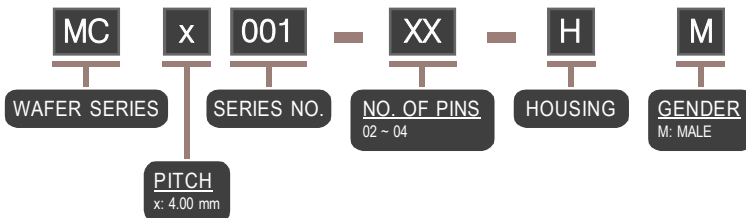
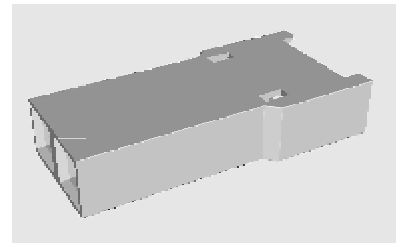
MATERIALS

BASE: NYLON 66, UL 94V-0

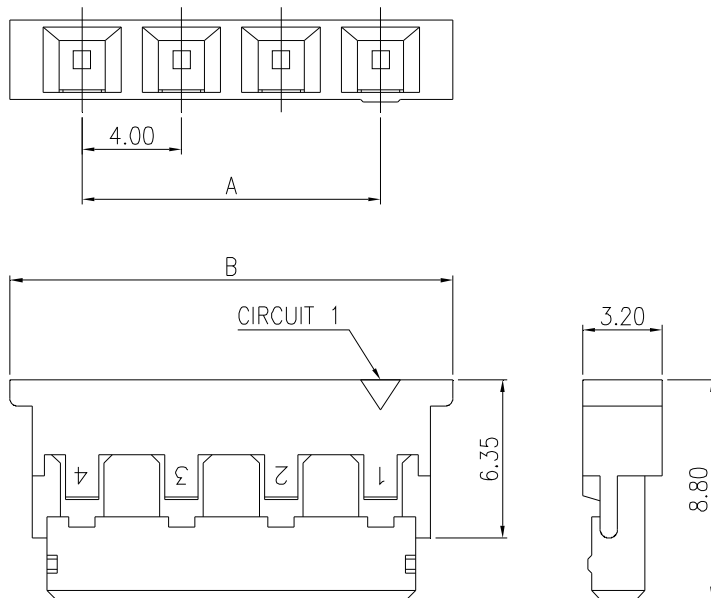
MATING CONNECTOR

PRODUCT	PART NO.
HOUSING	MCx001-__-HF
TERMINAL	MCx001-TM

PART NO.	DIMENSIONS	
	A	B
MCx001-02-HM	4.00	9.10
MCx001-03-HM	8.00	13.10
MCx001-04-HM	12.00	17.10



4.00 mm HOUSING - MCx001 (FEMALE)



SPECIFICATIONS

VOLTAGE RATING: 600V AC/DC
 CURRENT RATING: 1A AC/DC
 WITHSTAND VOLTAGE: 1800V AC/MINUTE
 INSULATOR RESISTANCE: 1000M OHM MIN.
 TEMPERATURE RANGE: -25°C ~ +85°C
 CONTACT RESISTANCE: 20m OHM MAX.

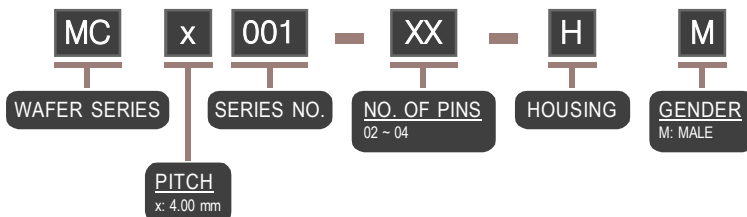
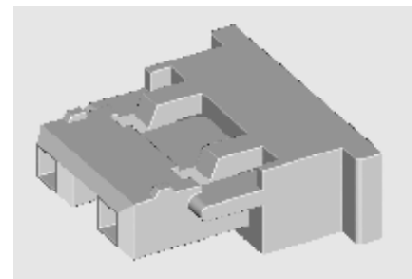
MATERIALS

BASE: NYLON 66, UL 94V-0

MATING CONNECTOR

PRODUCT	PART NO.
HOUSING	MCx001-__-HM
TERMINAL	MCx001-TF

PART NO.	DIMENSIONS	
	A	B
MCx001-02-HF	4.00	9.80
MCx001-03-HF	8.00	13.80
MCx001-04-HF	12.00	17.80



NOTE : SOME SIZES, STYLES AND OPTION ARE NON-STANDARD, NON-CANCELLABLE, NON-RETURNABLE