

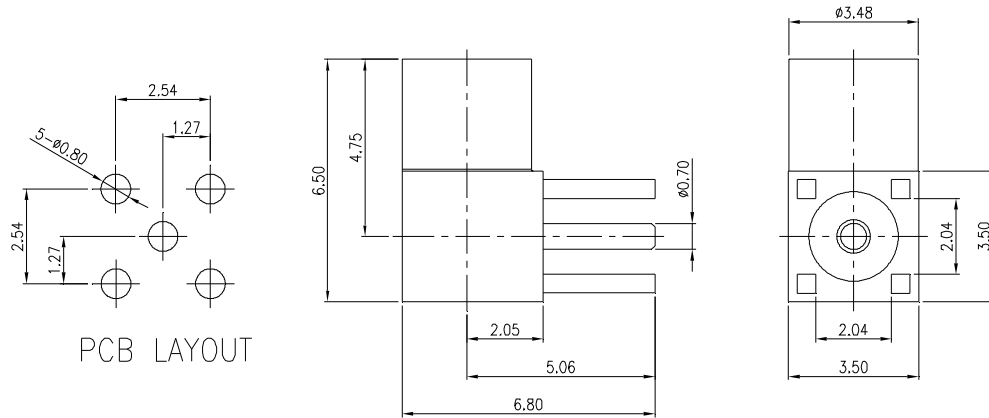
MMI RF COAXIAL CONNECTOR

- MMCX - **MINIATURE MICRO COAXIAL CONNECTOR**

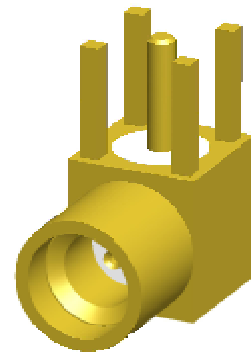
TERMINAL TYPE

- Pa : PCB TYPE, RIGHT ANGLE TYPE
 - Pt : PCB TYPE, SURFACE MOUNT TYPE
-

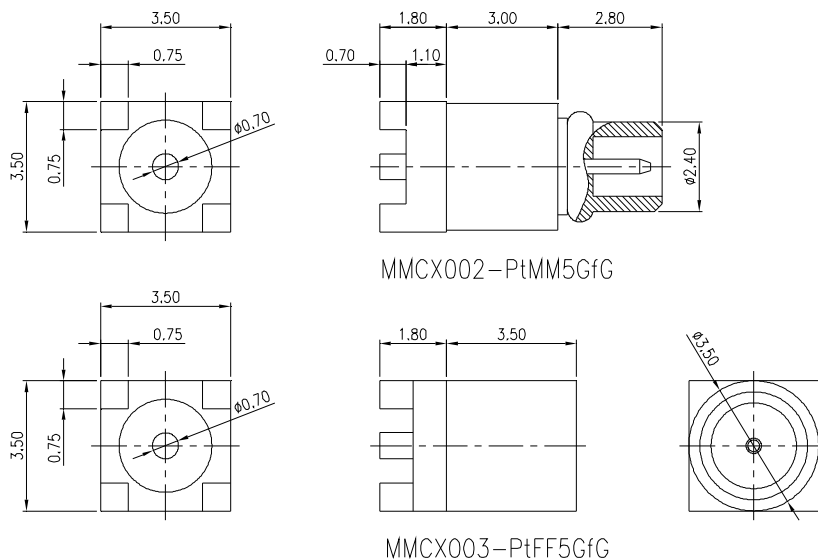
MMCX CONNECTOR - RIGHT ANGLE TYPE - Pa



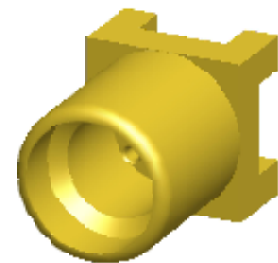
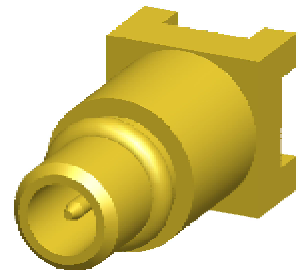
MMCX	001	Pa	FF	5	Gf	G
MMCX CONNECTOR	SERIES NO.	PCB TYPE Pa: RIGHT ANGLE TYPE	CONNECTOR TYPE FF: FEMALE HEAD, FEMALE PIN	IMPEDANCE TYPE 5: 50 ohm	CONTACT PLATING Gf: GOLD FLASH	BODY PLATING G: GOLD PLATING



MMCX CONNECTOR - SURFACE MOUNT TYPE - Pt



MMCX	00X	Pt	XX	5	Gf	G
MMCX CONNECTOR	SERIES NO. 002, 003	PCB TYPE Pt: SURFACE MOUNT TYPE	CONNECTOR TYPE MM: MALE HEAD, MALE PIN FF: FEMALE HEAD, FEMALE PIN	IMPEDANCE TYPE 5: 50 ohm	CONTACT PLATING Gf: GOLD FLASH	BODY PLATING G: GOLD PLATING



NOTE : SOME SIZES, STYLES AND OPTION ARE NON-STANDARD, NON-CANCELLABLE, NON-RETURNABLE