

MMI RF COAXIAL CONNECTOR

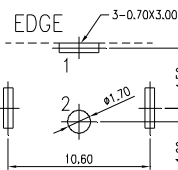
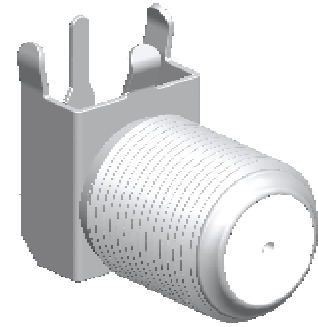
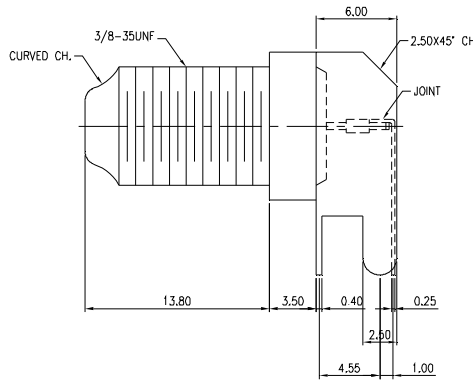
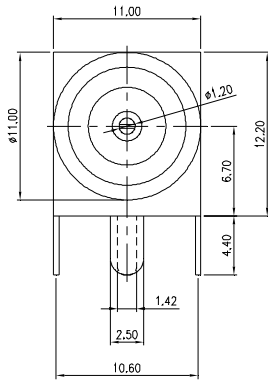
- FC -
F CONNECTOR

TERMINAL TYPE

P : PCB TYPE, STRAIGHT TYPE

Pa : PCB TYPE, RIGHT ANGLE TYPE

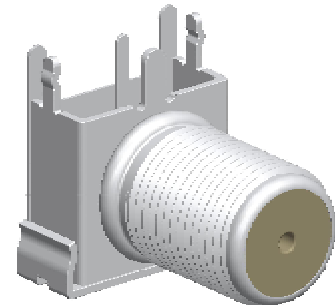
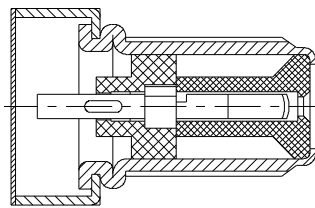
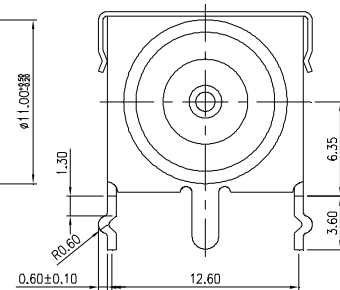
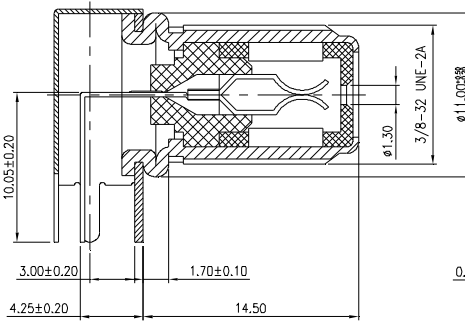
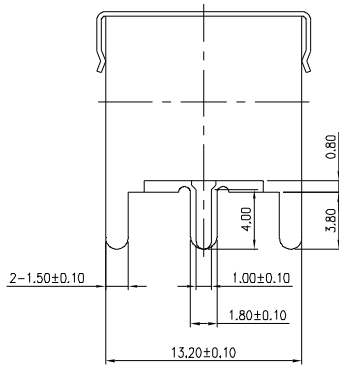
F CONNECTOR - RIGHT ANGLE TYPE - Pa



PCB LAYOUT
(BOTTOM VIEW)

FC	008	Pa	F	T	T
F CONNECTOR	SERIES NO.	PCB TYPE Pa: RIGHT ANGLE TYPE	GENDER F: FEMALE	CONTACT PLATING T: TIN PLATING	BODY PLATING T: TIN PLATING

F CONNECTOR - RIGHT ANGLE TYPE - Pa



FC	009	Pa	F	T	T
F CONNECTOR	SERIES NO.	PCB TYPE Pa: RIGHT ANGLE TYPE	GENDER F: FEMALE	CONTACT PLATING T: TIN PLATING	BODY PLATING T: TIN PLATING

NOTE : SOME SIZES, STYLES AND OPTION ARE NON-STANDARD, NON-CANCELLABLE, NON-RETURNABLE