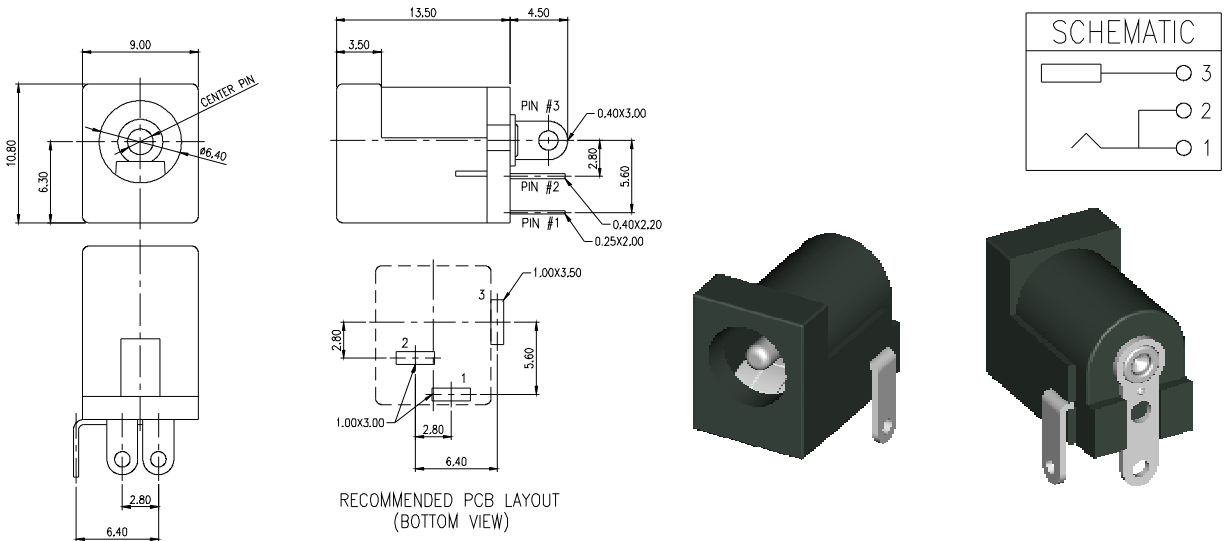


- JK -
DC POWER JACK

TERMINAL TYPE

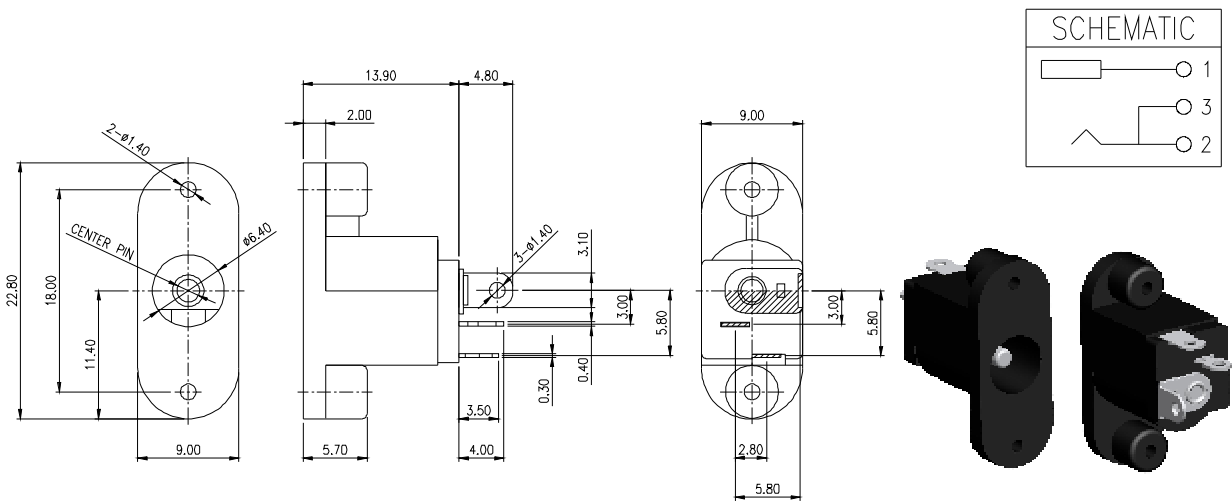
- W : WIRING TYPE, STRAIGHT TYPE
 - Wa : WIRING TYPE, RIGHT ANGLE TYPE
 - Pa : PCB TYPE, RIGHT ANGLE TYPE
 - Pt : PCB TYPE, SURFACE MOUNT TYPE
 - Rt : PCB TYPE, RIGHT ANGLE SURFACE
MOUNT TYPE
-

DC POWER JACK - STRAIGHT TYPE - W



JK	003	W	1	2	A	X
DC POWER JACK	SERIES NO.	WIRING TYPE W: STRAIGHT TYPE	NO. OF POLE	NO. OF POSITION	FRAME CODE A: A TYPE	CLASS OF THE CENTER PIN A: CENTER PIN DIAMETER = 2.50mm B: CENTER PIN DIAMETER = 2.00mm

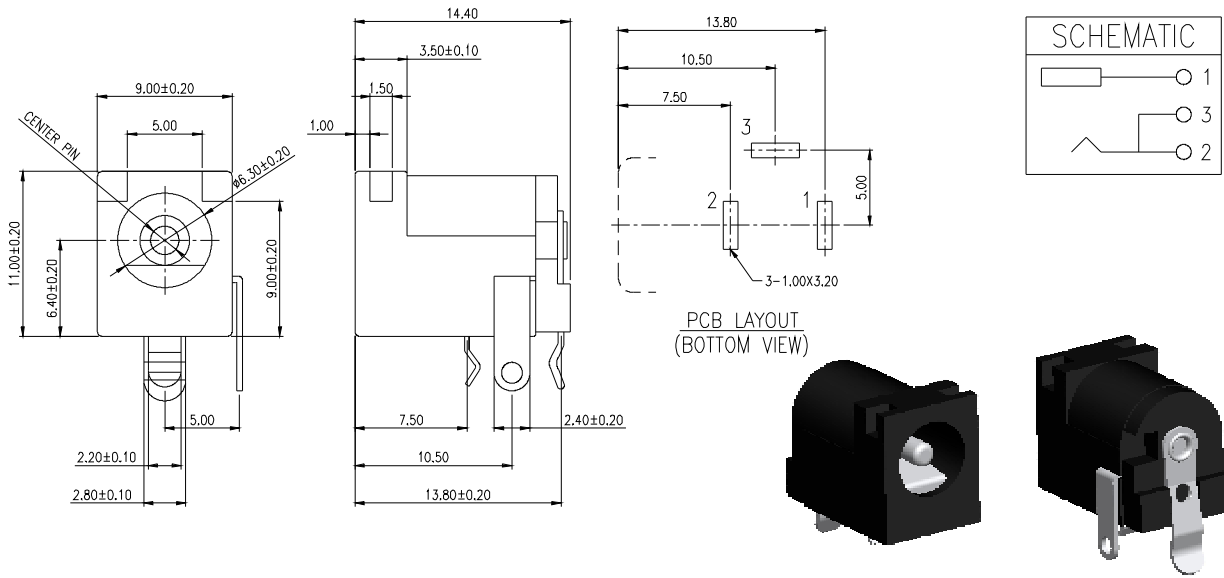
DC POWER JACK - STRAIGHT TYPE - W



JK	103	W	1	2	C	X
DC POWER JACK	SERIES NO.	WIRING TYPE W: STRAIGHT TYPE	NO. OF POLE	NO. OF POSITION	FRAME CODE C: C TYPE	CLASS OF THE CENTER PIN A: CENTER PIN DIAMETER = 2.50mm B: CENTER PIN DIAMETER = 2.00mm

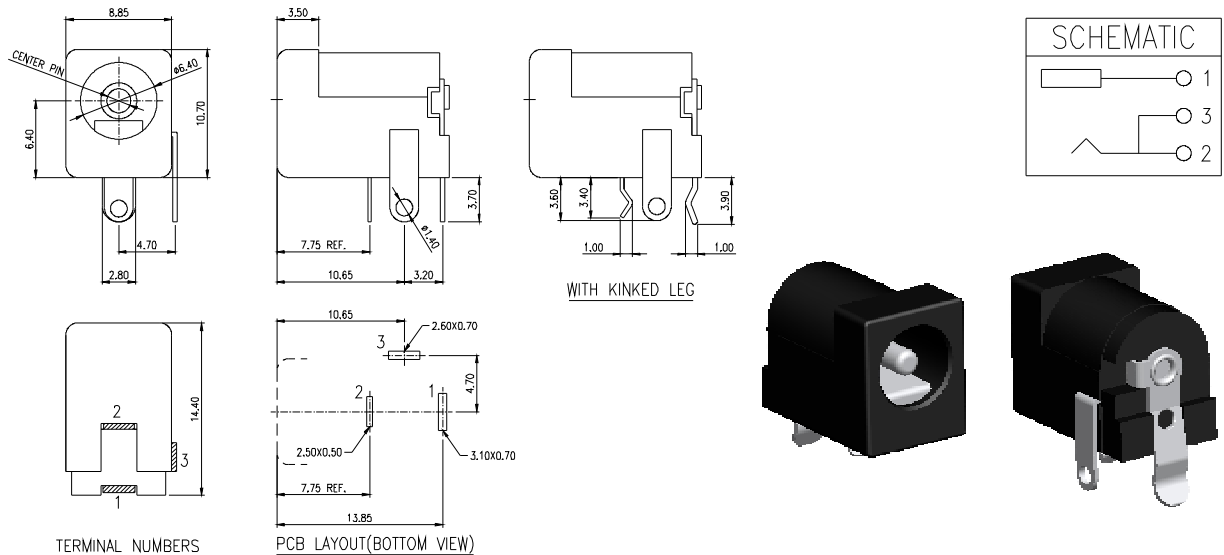
NOTE : SOME SIZES, STYLES AND OPTION ARE NON-STANDARD, NON-CANCELLABLE, NON-RETURNABLE

DC POWER JACK - RIGHT ANGLE TYPE - Wa



JK	003	Wa	1	2	B	B	K
DC POWER JACK	SERIES NO.	WIRING TYPE Wa: RIGHTANGLE TYPE	NO. OF POLE	NO. OF POSITION	FRAME CODE B: B TYPE	CLASS OF THE CENTER PIN B: CENTER PIN DIAMETER = 2.00mm	
						KINKED LEG OPTION K: WITH KINKED LEG	

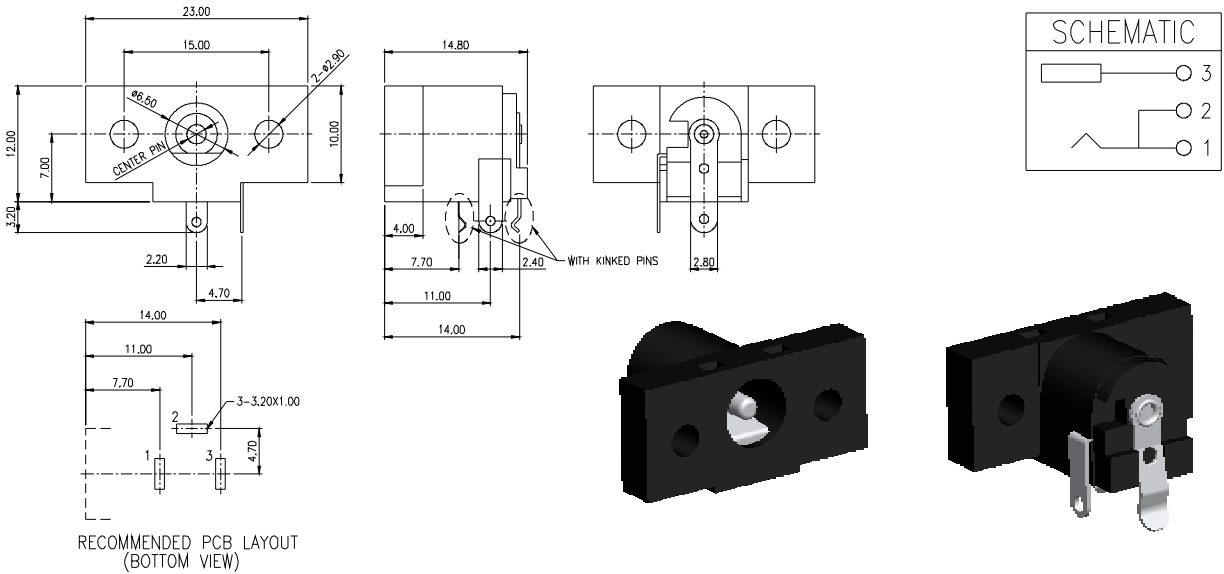
DC POWER JACK - RIGHT ANGLE TYPE - Wa



JK	003	Wa	1	2	A	X	K
DC POWER JACK	SERIES NO.	WIRING TYPE Wa: RIGHTANGLE TYPE	NO. OF POLE	NO. OF POSITION	FRAME CODE A: A TYPE	CLASS OF THE CENTER PIN A: CENTER PIN DIAMETER = 2.50mm B: CENTER PIN DIAMETER = 2.00mm C: CENTER PIN DIAMETER = 3.00mm	
						KINKED LEG OPTION K: WITH KINKED LEG BLANK: WITHOUT KINKED LEG	

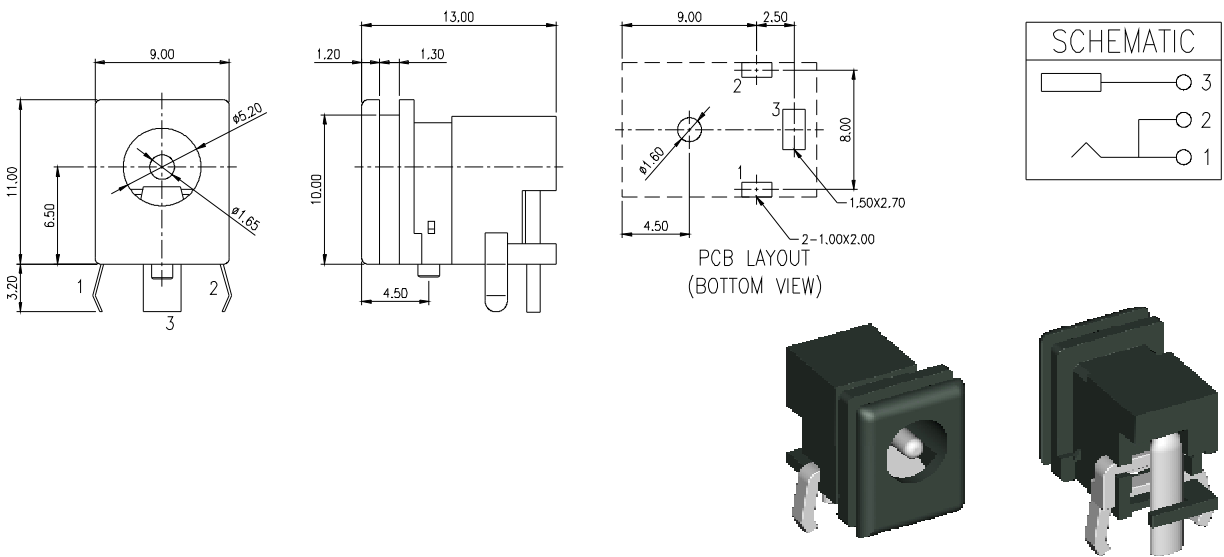
NOTE : SOME SIZES, STYLES AND OPTION ARE NON-STANDARD, NON-CANCELLABLE, NON-RETURNABLE

DC POWER JACK - RIGHT ANGLE TYPE - Wa



JK	23X	Wa	1	2	A	X
DC POWER JACK	SERIES NO. 230: WITHOUT KINKED PINS 231: WITH KINKED PINS	WIRING TYPE Wa: RIGHTANGLE TYPE	NO. OF POLE	NO. OF POSITION	FRAME CODE A: A TYPE	CLASS OF THE CENTER PIN A: CENTER PIN DIAMETER = 2.50mm B: CENTER PIN DIAMETER = 2.00mm

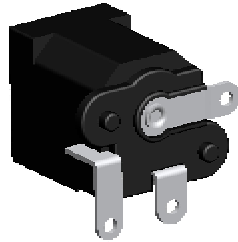
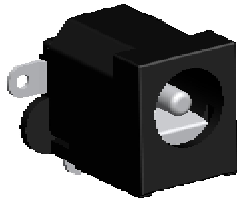
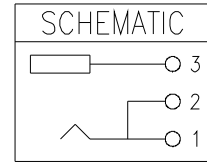
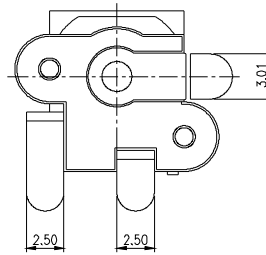
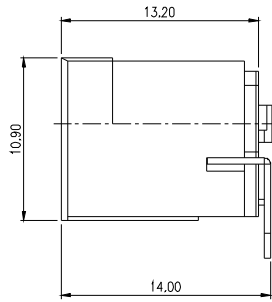
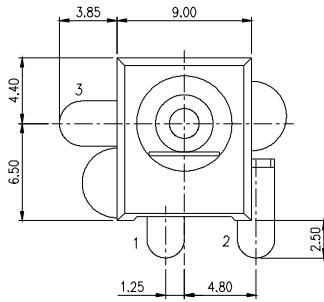
DC POWER JACK - RIGHT ANGLE TYPE - Pa



JK	101	Pa	1	2	B	D
DC POWER JACK	SERIES NO.	PCB TYPE Pa: RIGHT ANGLE TYPE	NO. OF POLE	NO. OF POSITION	FRAME CODE B: B TYPE	CLASS OF THE CENTER PIN D: CENTER PIN DIAMETER = 1.65mm

NOTE : SOME SIZES, STYLES AND OPTION ARE NON-STANDARD, NON-CANCELLABLE, NON-RETURNABLE

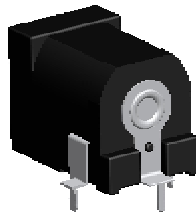
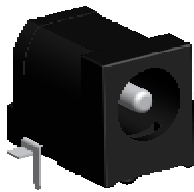
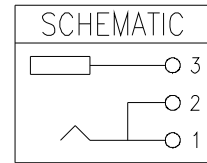
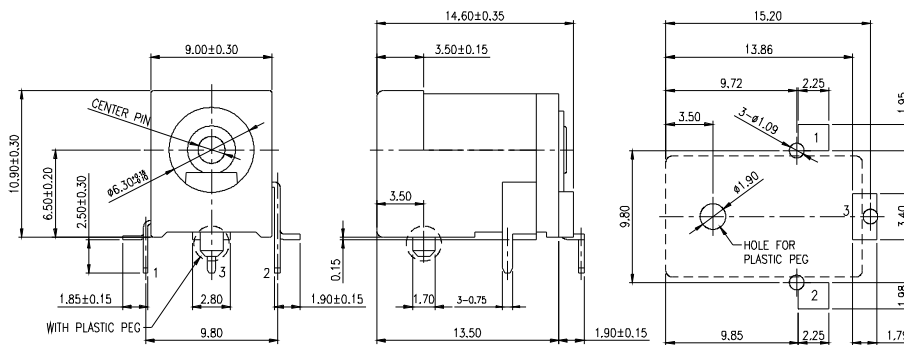
DC POWER JACK - SURFACE MOUNT TYPE - Pt



BOTTOM VIEW

JK	103	Pt	1	2	A	X
DC POWER JACK	SERIES NO.	WIRING TYPE Pt: SURFACE MOUNT TYPE	NO. OF POLE	NO. OF POSITION	FRAME CODE A: A TYPE	CLASS OF THE CENTER PIN A: CENTER PIN DIAMETER = 2.50mm B: CENTER PIN DIAMETER = 2.00mm

DC POWER JACK - R/A SURFACE MOUNT TYPE - Rt

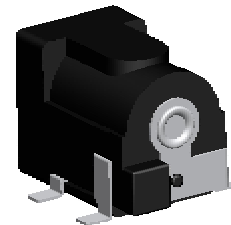
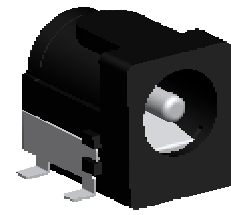
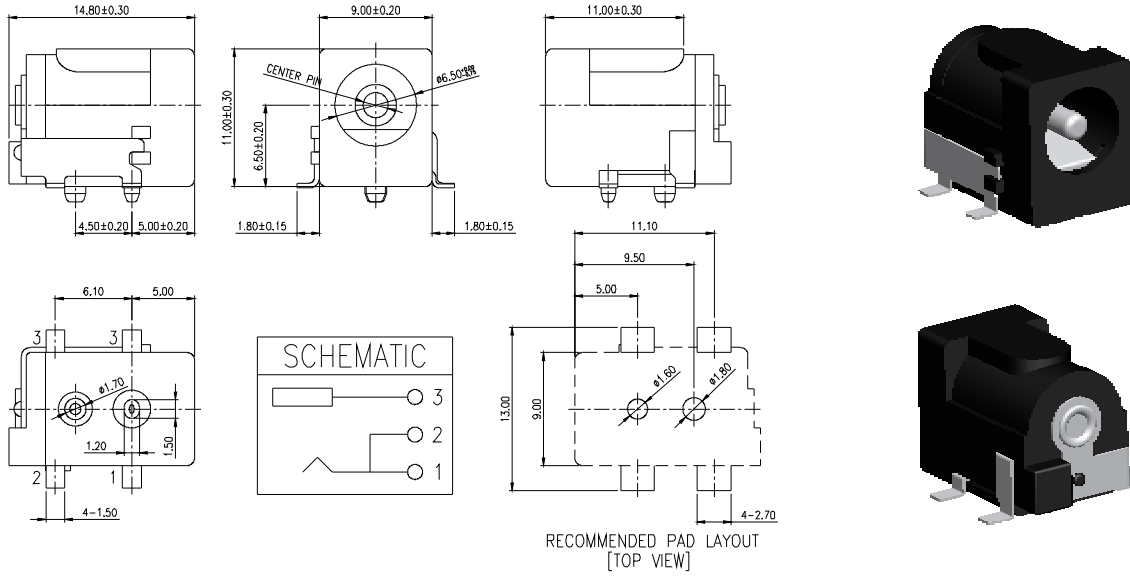


RECOMMENDED PADS LAYOUT

JK	003	Rt	1	2	X	X	XX
DC POWER JACK	SERIES NO.	PCB TYPE Rt: RIGHT ANGLE SURFACE MOUNT TYPE	NO. OF POLE	NO. OF POSITION	CLASS OF THE CENTER PIN A: CENTER PIN DIAMETER = 2.50mm B: CENTER PIN DIAMETER = 2.00mm	PLASTIC PEG OPTION A: A TYPE WITHOUT PLASTIC PEG B: B TYPE WITH PLASTIC PEG	PACKAGE OPTION BLANK: TUBES TR: TAPES & REEL

NOTE : SOME SIZES, STYLES AND OPTION ARE NON-STANDARD, NON-CANCELLABLE, NON-RETURNABLE

DC POWER JACK - R/A SURFACE MOUNT TYPE - Rt



JK	003	Rt	1	2	C	X	XX
DC POWER JACK	SERIES NO.	PCB TYPE Rt: RIGHT ANGLE SURFACE MOUNT TYPE	NO. OF POLE	NO. OF POSITION	FRAME CODE C: C TYPE	CLASS OF THE CENTER PIN A: CENTER PIN DIAMETER = 2.50mm B: CENTER PIN DIAMETER = 2.00mm	
						PACKAGE OPTION BLANK: TUBES TR: TAPES & REEL	

NOTE : SOME SIZES, STYLES AND OPTION ARE NON-STANDARD, NON-CANCELLABLE, NON-RETURNABLE