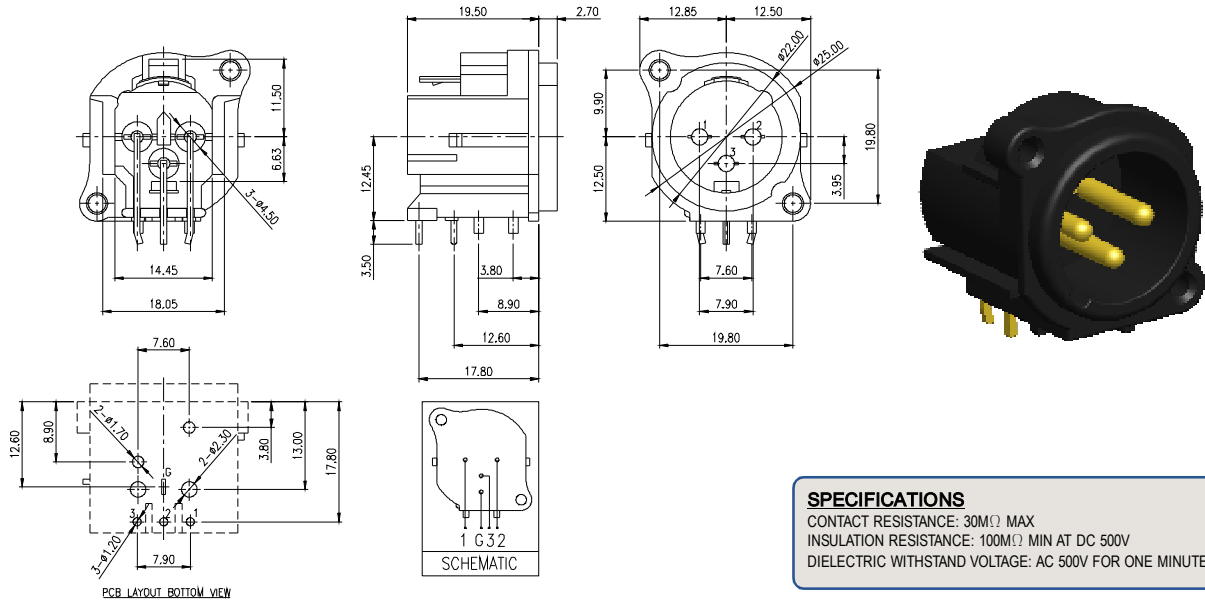


- XJ -
XLR JACK

TERMINAL TYPE

Pa : PCB TYPE, RIGHT ANGLE TYPE

XLR JACK - RIGHT ANGLE TYPE - Pa



SPECIFICATIONS
 CONTACT RESISTANCE: 30MΩ MAX
 INSULATION RESISTANCE: 100MΩ MIN AT DC 500V
 DIELECTRIC WITHSTAND VOLTAGE: AC 500V FOR ONE MINUTE

- XJ

001

Pa

M

03

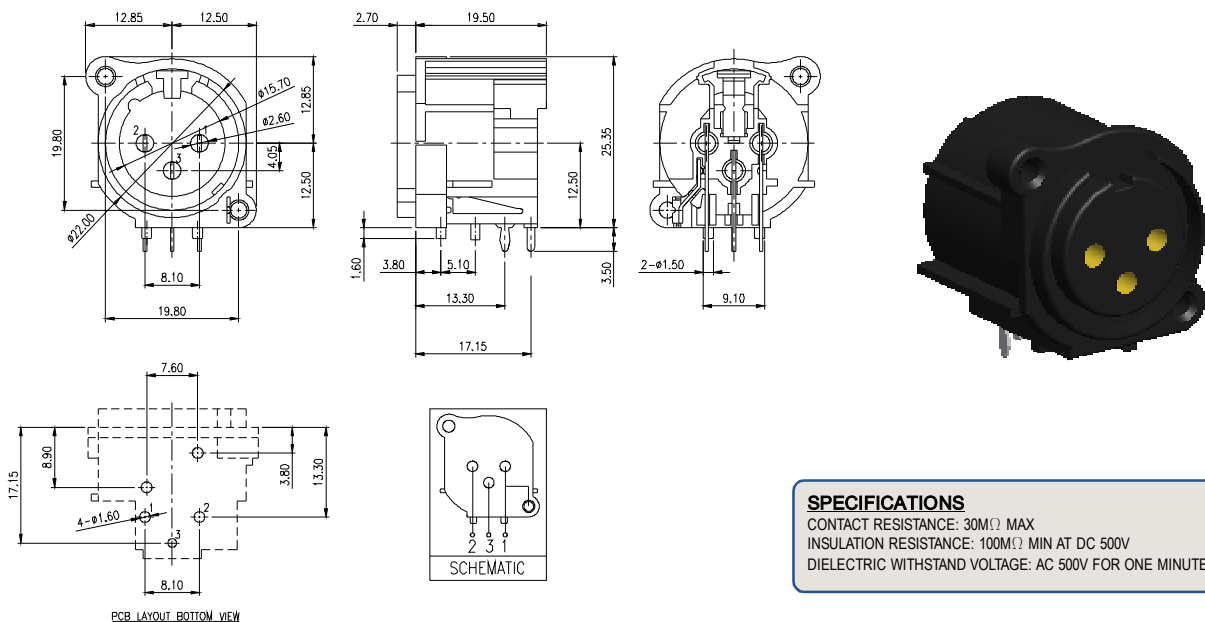
Gf
- XLR JACK
- SERIES NO.
- PCB TYPE

Pa: RIGHT ANGLE TYPE
- GENDER

M: MALE
- NO. OF CONTACTS
- CONTACT PLATING OPTION

Gf: GOLD FLASH ON CONTACT

XLR JACK - RIGHT ANGLE TYPE - Pa



SPECIFICATIONS
 CONTACT RESISTANCE: 30MΩ MAX
 INSULATION RESISTANCE: 100MΩ MIN AT DC 500V
 DIELECTRIC WITHSTAND VOLTAGE: AC 500V FOR ONE MINUTE

- XJ

001

Pa

F

03

Gf
- XLR JACK
- SERIES NO.
- PCB TYPE

Pa: RIGHT ANGLE TYPE
- GENDER

F: FEMALE
- NO. OF CONTACTS
- CONTACT PLATING OPTION

Gf: GOLD FLASH ON CONTACT

NOTE : SOME SIZES, STYLES AND OPTION ARE NON-STANDARD, NON-CANCELLABLE, NON-RETURNABLE