

**TRANSFORMER
(CURRENT SENSE)**

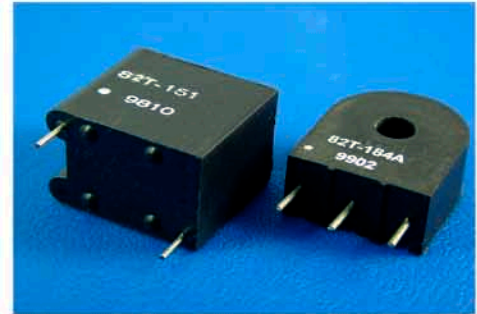
MMT 82T SERIES THOUGH HOLE CURRENT SENSE TRANSFORMERS AND INDUCTORS

FEATURES

- DESIGNED FOR SWITCHING POWER SUPPLY APPLICATIONS.
- TRANSFORMER MEETS IEC950 INSULATION REQUIREMENTS
- FREQUENCY RANGE FROM 20KHz TO 200KHz

TEST CONDITIONS

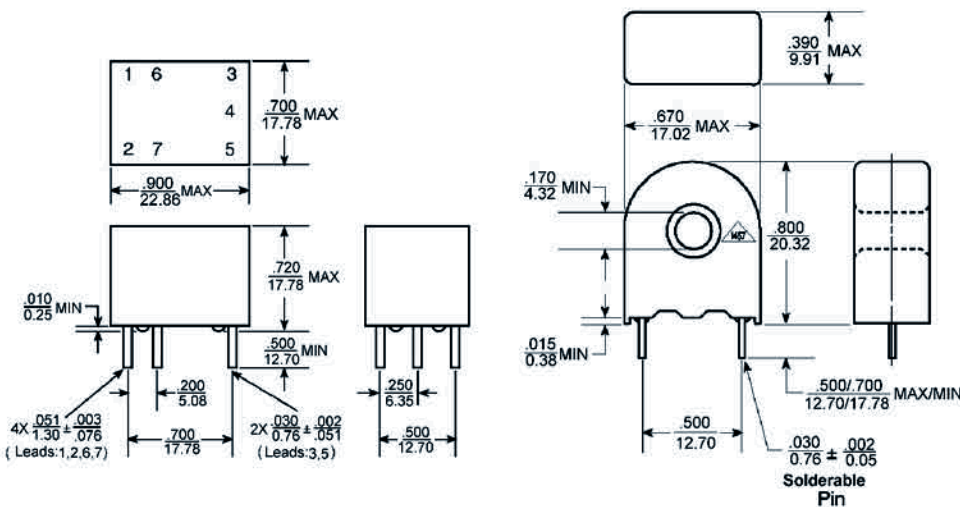
- Inductance ----- 10KHz/500mV



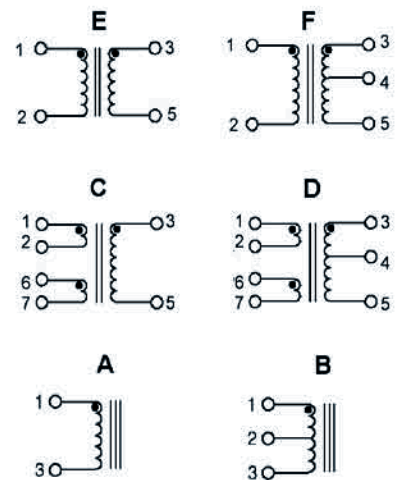
ELECTRICAL SPECIFICATIONS @25°C -Operating temperature -30°C TO +130°C

PART NUMBER	SCHEM FIGURE	TURNS NS	SECONDARY INDUCTANCE mH(MIN)	SECONDARY INDUCTANCE TEST VOLTAGE (15.75KHz)	RS (Ω MAX)	RT (Ω NOM)	PRIMARY UNIPOLAR AMP μsec Rating(max)	PRIMARY BIPOLAR AMP μsec Rating(max)
82T-502A	A	50	5.0	0.5	0.7	50	150	300
82T-203A	A	100	20.0	1.0	1.40	100	300	600
82T-803A	A	200	80.0	2.0	4.50	200	600	1200
82T-502B	B	50CT	5.0	0.5	0.7	50	150	300
82T-203B	B	100CT	20.0	1.0	1.40	100	300	600
82T-803B	B	200CT	80.0	2.0	4.50	200	600	1200
82T-184B	B	300CT	180.0	3.0	11.0	300	900	1800
82T-203C	C	100	20.0	1.0	1.40	100	300	600
82T-803C	C	200	80.0	2.0	4.50	200	600	1200
82T-502D	D	50CT	5.0	0.5	0.7	50	150	300
82T-203D	D	100CT	20.0	1.0	1.40	100	300	600
82T-803D	D	200CT	80.0	2.0	4.50	200	600	1200
82T-502E	E	50	5.0	0.5	0.7	50	150	300
82T-203E	E	100	20.0	1.0	1.40	100	300	600
82T-803E	E	200	80.0	2.0	4.50	200	600	1200
82T-502F	F	50CT	5.0	0.5	0.7	50	150	300
82T-203F	F	100CT	20.0	1.0	1.40	100	300	600
82T-803F	F	200CT	80.0	2.0	4.50	200	600	1200
82T-184F	F	300CT	180.0	3.0	11.0	300	900	1800

MARKINGS AND DIMENSIONS



SCHEMATICS

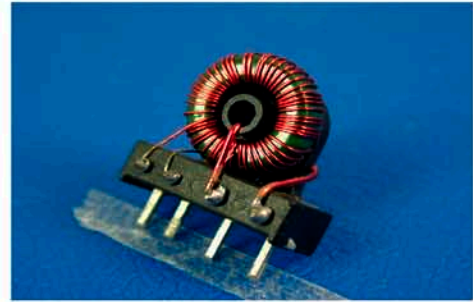


FEATURES

- FREQUENCY RANGE FROM 200 TO 500 KHz
- 1250 Vrms ISOLATION
- 20Amp PEAK SENSE CURRENT

TEST CONDITIONS

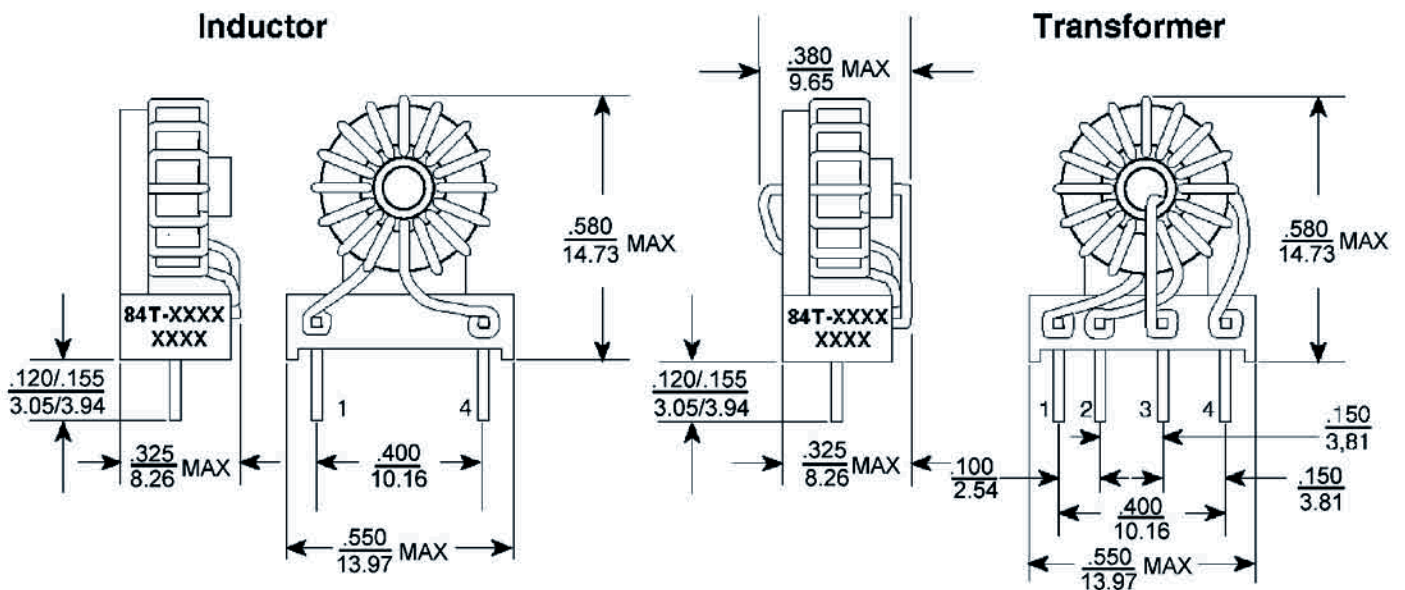
- Inductance ----- 200KHz/200mV



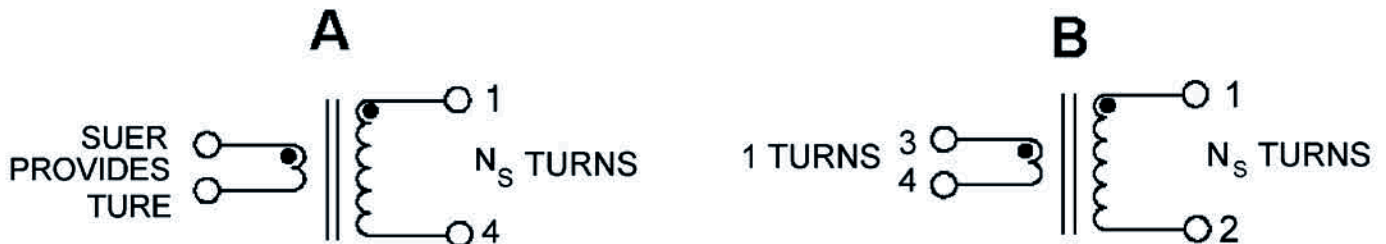
ELECTRICAL SPECIFICATIONS @25°C - Operating temperature -30°C TO +130°C

PART NUMBER INDUCTOR	PART NUMBER TRANSFORMER	RT (Ω)	SECONDARY TURNS NS	SECONDARY INDUCTANCE (μH MIN)	DCR SEC (Ω MAX)	DCR PRI (Ω)	Vs (mV)
84T-151A	84T-151B	1.50	10	150	0.055	0.006	30
84T-601A	84T-601B	3.00	20	600	0.097	0.006	60
84T-402A	84T-402B	7.50	50	4000	0.240	0.006	160

MARKINGS AND DIMENSIONS

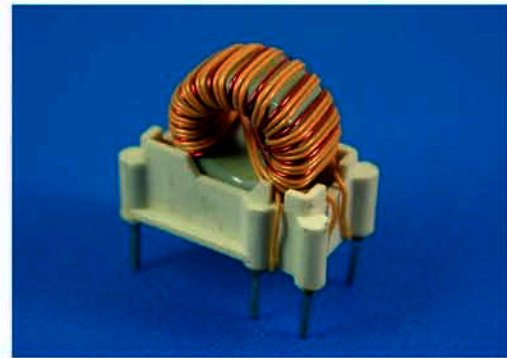


SCHEMATICS



FEATURES

- MEET UL AND C-UL.
- 3000 Vrms GATE TO DRIVE WINDING TEST.
- USEFUL OPERATING FREQUENCY FROM 50 KHz TO 500KHz.
- MOST POPULAR WINDING CONFIGURATIONS.



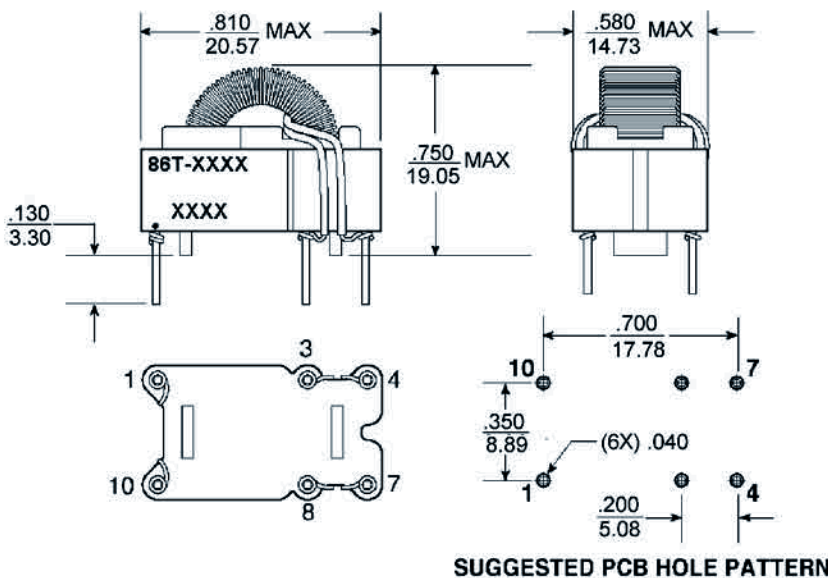
TEST CONDITIONS

- Inductance ----- 100KHz/200mV

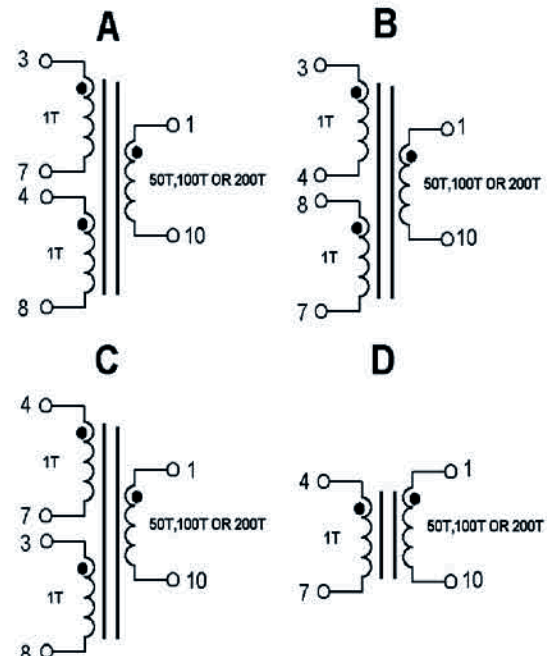
ELECTRICAL SPECIFICATIONS @25°C -Operating temperature -30°C TO +130°C

PART NUMBER	TURNS RATIO	SECONDARY INDUCTANCE (1-10)(mH MIN)	DCR SEC (1-10) (Ω MAX)	DCR SEC (1-10) (Ω MAX)	DCR SEC (1-10) (Ω MAX)	HI-POT (Vrms)	REFERENCE DATA				CALCULATION DATA	
							RT	Ipk (Amps)	DROOP (%)	MAX FLUX DENSITY	Kb	Req (mΩ)
86T-763A	1:1:200	76	2.8	2.15	2.15	3000	200	34	1.00	2000	17.12	0.9
86T-193A	1:1:100	19	1.4	2.15	2.15	3000	100	35	1.98	2000	68.49	0.8
86T-502A	1:1:50	5	0.7	2.15	2.15	3000	15	36	1.19	2000	273.97	0.75

MARKINGS AND DIMENSION



SCHEMATIC



Dimensions: inches/mm

Unless otherwise specified, all tolerances are $\pm 0.10/\pm 0.25$

FEATURES

- SELF-LEADED, SURFACE MOUNT
- SUITED FOR IR AND VAPOR PHASE REFLOW SOLDERING.
- DESIGNED FOR SWITCHING POWER SUPPLY APPLICATIONS



ELECTRICAL SPECIFICATIONS @25°C -Operating temperature -30°C TO +130°C

PART NUMBER	I (Amps)	RT (Ω)	DROOP (%)	Ls (mH MIN)	Rs (Ω MAX)	YURNS (Ns)	HIPOT (Vrms)
87T-382C3/T4	15.3	25	1.3	3.8	0.38	50	500
87T-142C3/T4	16.3	50	0.7	14.8	0.93	100	500
87T-592C3/T4	16.4	100	0.3	59.2*	3.9	200	500

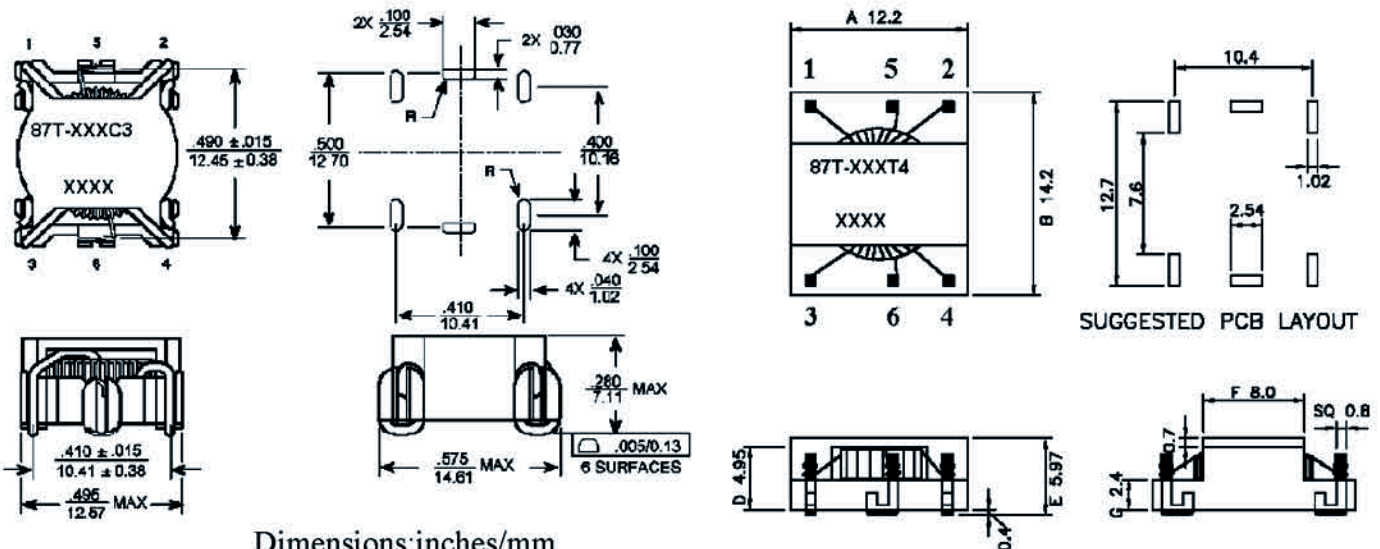
Note:

1. Inductance is measured at 100KHz, 20 mVrms.*10KHz, 60 mVrms.
2. Hipot is 500 Vrms, measured at 60 Hz, 2 seconds.
3. I, RT, and Droop are reference values only.
4. Reference values are for the one turn winding connected in parallel for unipolar operation at 200KHz.

MARKINGS AND DIMENSION

C3

T4



Dimensions: inches/mm

Unless otherwise specified, all tolerances are ±.005/±0.13

SCHEMATIC

