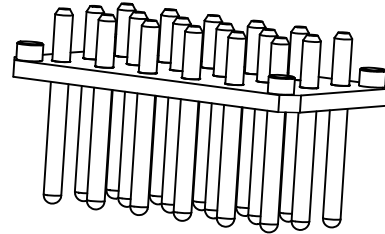
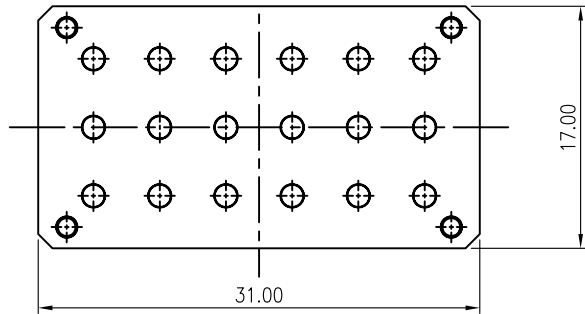


V1.3 NOTE: THIS DEVICE IS ROHS COMPLIANT.

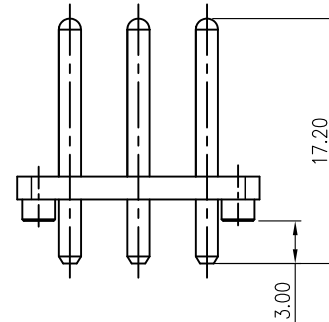
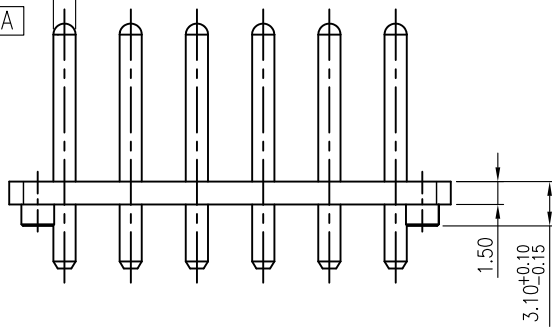
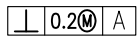
REVISIONS							
SYM	DESCRIPTION	DATE	APPROVED	SYM	DESCRIPTION	DATE	APPROVED
△	MODIFY DIMENSION (see table)	13'/06/26	SAM	△			
△	MODIFY STANOFF	13'/11/14	SAM	△			
**CUSTOMER DRAWING FOR REFERENCE ONLY, SAMPLES APPROVAL ARE REQUIRED!!							225



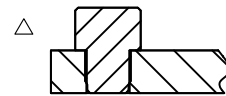
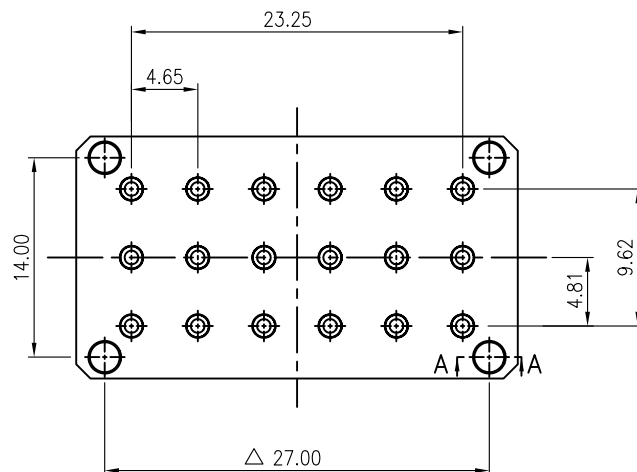
1. MATERIAL:
 1.1 INSULATOR: FR4 GLASS FILLED EPOXY FLAMMABILITY RATED UL94V-0, T=1.60mm, COLOR: BLACK
 1.2 PINS: 3/4 HARD BRASS
 2. TERMINAL PLATING TO BE NICKEL 0.0025mm MIN THICKNESS OR 0.0004mm GOLD OVER 0.0013mm NICKEL

REV.	DESCRIPTION	DATE
V1-2	3.88 was 3.58 31.00 was 30.00 17.00 was 19.00 28.00 was 27.00 14.00 was 16.00 add 3.10±0.08 DIM.	13'/06/26
V1-3	MODIFY STANOFF 改用鉚接式 27.00 was 28.00 3.10±0.15 was 3.10±0.08	13'/11/14

18- ϕ 1.56±0.12



ORDER INFORMATION:
 PH1720A-P0603X-1000
 PH: PIN HEADER
 1720A: SERIES NO., TOTAL LENGTH, 17.20mm
 P: PCB TYPE STRAIGHT
 06: NO. OF PINS PER ROW
 03: NO. OF ROW
 X: TERMINAL PLATING OPTION
 N: NICKEL PLATING
 T: TIN PLATING
 1000: POST HEIGHT, 10.00mm



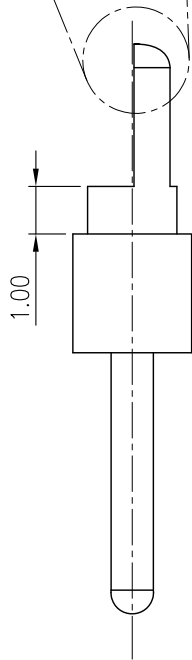
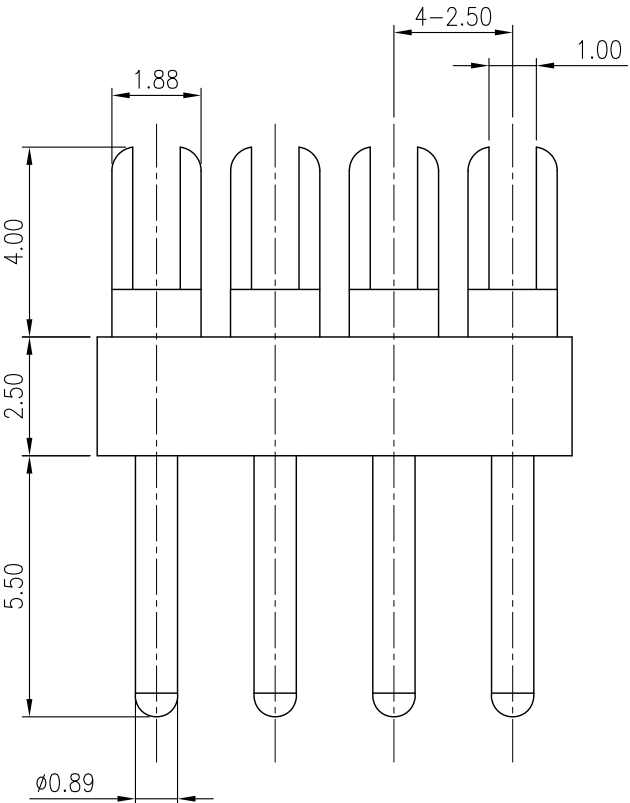
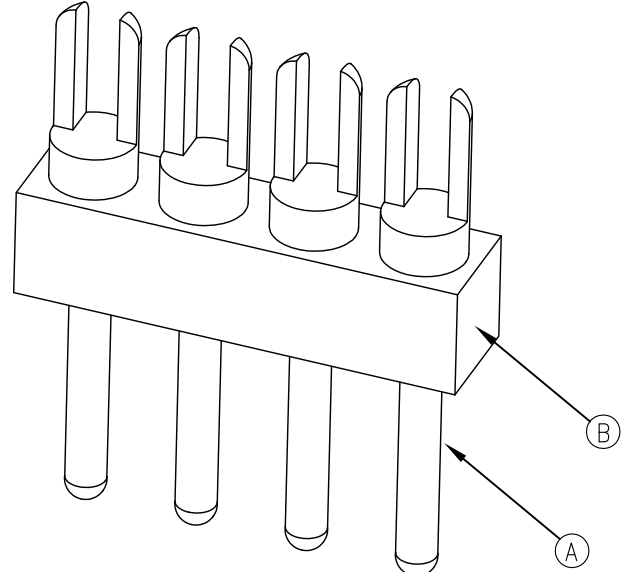
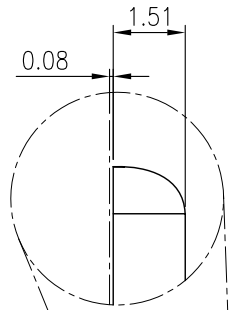
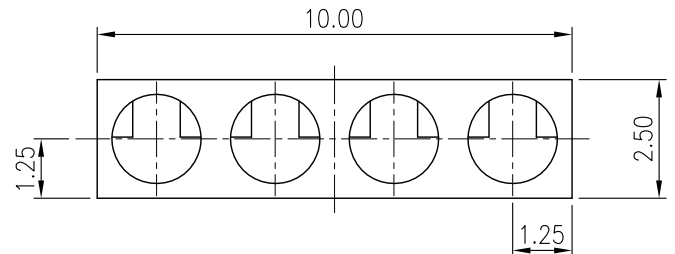
SECTION A-A
SCALE 2:1

TOLERANCES UNLESS OTHERWISE SPECIFIED ±0.25			SIGNATURES	DATE	MODEL
SYMBOL △	UNIT mm	SCALE 2/1	DRAWN	AARON	19/JUL/12'
			CHECKED	PEGGY	19/JUL/12'
			APPROVALS		
					TITLE PIN HEADER NO. PH1720A-P0603_-1000
MMT CORPORATION					

V1.1 NOTE: THIS DEVICE IS ROHS COMPLIANT.

REVISIONS							
SYM	DESCRIPTION	DATE	APPROVED	SYM	DESCRIPTION	DATE	APPROVED
△				△			
△				△			

**CUSTOMER DRAWING FOR REFERENCE ONLY, SAMPLES APPROVAL ARE REQUIRED!!



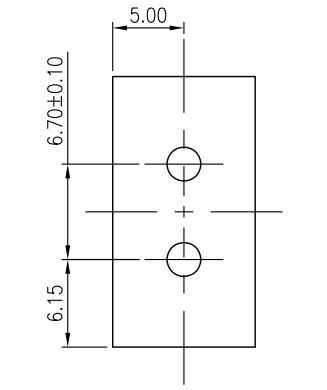
NOTES:

- TO CONFORM TO SINGATRON HAZARDOUS SUBSTANCE FREE SPEC.
- GREEN PRODUCT IDENTIFICATION LABEL ON PACKAGING: **G.P. PASS**
- PIN-->無鉛易切削環保銅說明: 符合歐盟ROHS指令1級有害物質禁用標準
 - Pb <100ppm
 - Cd <5ppm
 - Hg <2ppm
 - Cr+6 <2ppm
- 3.2 參考牌號: C3604
- PCB-->FR4/BALCK

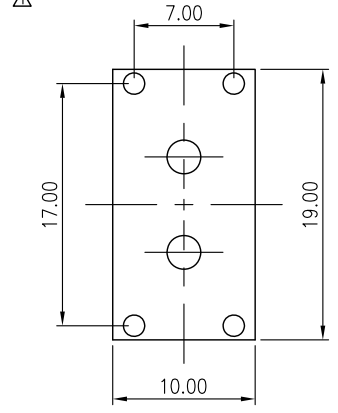
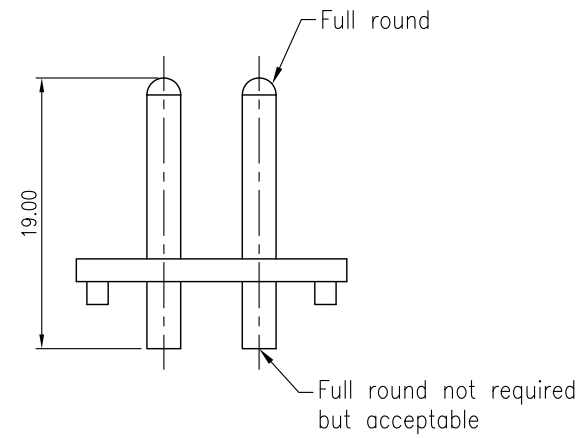
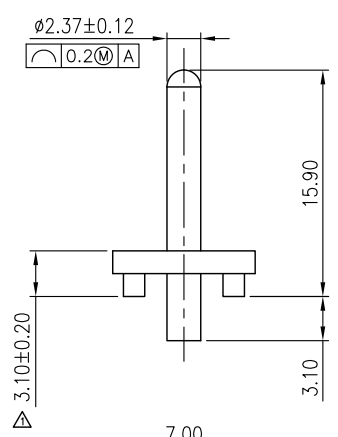
TOLERANCES UNLESS OTHERWISE SPECIFIED ±0.15			SIGNATURES		DATE	MODEL	
SYMBOL △	UNIT mm	SCALE 7/1	DRAWN	AARON	14/OCT/13'	TITLE	ROUND PIN PCB HEADER
			CHECKED	SAM	14/OCT/13'	NO.	PH131007-4P
			APPROVALS				

MMT CORPORATION

REVISIONS							
SYM	DESCRIPTION	DATE	APPROVED	SYM	DESCRIPTION	DATE	APPROVED
△	ADD DIMENSION	13/11/08	AARON	△			
△				△			
**CUSTOMER DRAWING FOR REFERANCE ONLY, SAMPLES APPROVAL ARE REQUIRED!!							225



- 1.MATERIAL:
 1.1 INSULATOR: FR4 GLASS FILLED EPOXY; FLAMMABILITY RATED UL94V-0, T=1.60mm, COLOR: BLACK
 1.2 PINS: 3/4 HARD BRASS
 2.TERMINAL PLATING TO BE NICKEL 0.0025mm MIN THICKNESS OR 0.0004mm GOLD OVER 0.0012mm NICKEL



ORDER INFORMATION:
 PH1900A-P0201X-1280

X: TERMINAL PLATING OPTION
 N: NICKEL PLATING
 T: TIN PLATING

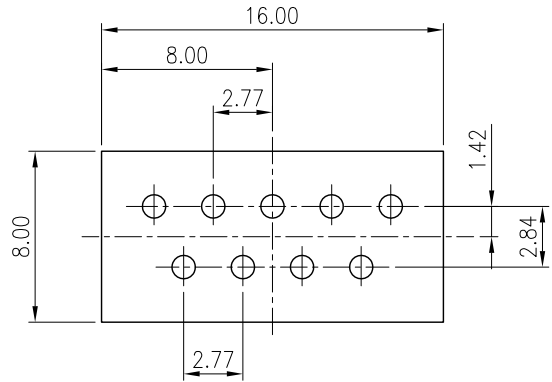
TOLERANCES UNLESS OTHERWISE SPECIFIED ±0.25			SIGNATURES		DATE	MODEL
SYMBOL △	UNIT mm	SCALE 2/1	DRAWN	AARON	05/JUN/12'	TITLE PIN HEADER
			CHECKED	PEGGY	05/JUN/12'	NO. PH1900A-P0201_-1280
			APPROVALS			

MMT CORPORATION

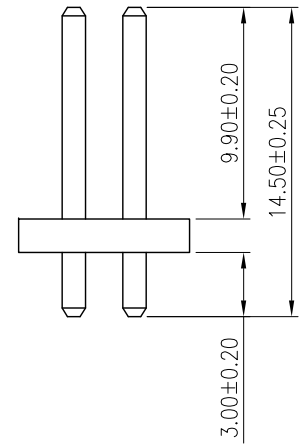
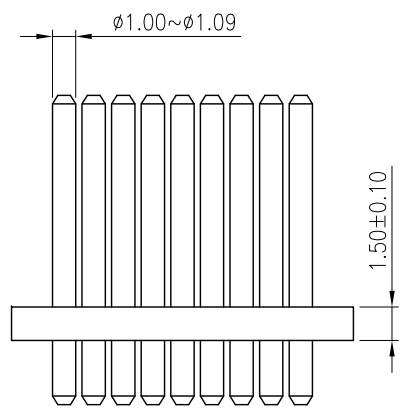
V1.2 NOTE: THIS DEVICE IS ROHS COMPLIANT.

REVISIONS							
SYM	DESCRIPTION	DATE	APPROVED	SYM	DESCRIPTION	DATE	APPROVED
△	ADD TOLERANCES	13/11/13'	AARON	△			
△				△			

****CUSTOMER DRAWING FOR REFERENCE ONLY, SAMPLES APPROVAL ARE REQUIRED!!**



- 1.MATERIAL:
 1.1 INSULATOR: FR4, T=1.60mm, COLOR: BLACK
 1.2 PINS: COPPER ALLOY, GOLD FLASH

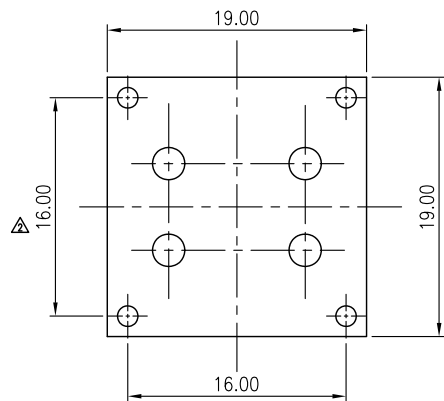
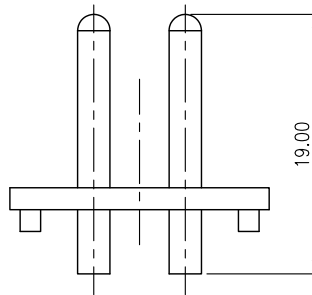
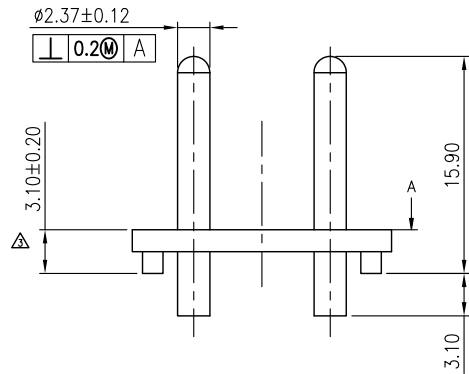
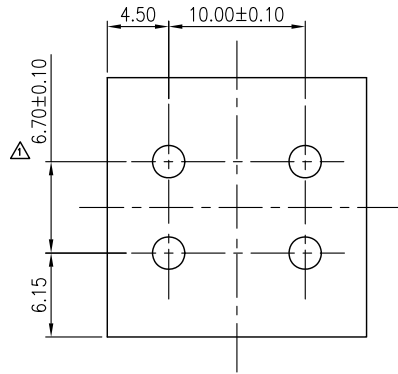


TOLERANCES UNLESS OTHERWISE SPECIFIED ± 0.30			SIGNATURES		DATE	MODEL
SYMBOL △	UNIT mm	SCALE 3/1	DRAWN	AARON	28/OCT/13'	TITLE PIN HEADER
			CHECKED	SAM	28/OCT/13'	NO.
			APPROVALS			PH1450-DB9-990

MMT CORPORATION

V1.4 NOTE: THIS DEVICE IS ROHS COMPLIANT.

REVISIONS							
SYM	DESCRIPTION	DATE	APPROVED	SYM	DESCRIPTION	DATE	APPROVED
△	MODIFY PITCH	15/MAY/12'	AARON	△	ADD DIMENSION	08/NOV/13'	AARON
△	MODIFY DIMENSION	19/JUL/12'	AARON	△			
**CUSTOMER DRAWING FOR REFERENCE ONLY, SAMPLES APPROVAL ARE REQUIRED!!							225



1.MATERIAL:

1.1 INSULATOR: FR4 GLASS FILLED EPOXY FLAMMABILITY RATED UL94V-0, T=1.60mm, COLOR: BLACK

1.2 PINS: 3/4 HARD BRASS

2.TERMINAL PLATING TO BE NICKEL 0.0025mm MIN THICKNESS OR 0.0004mm GOLD OVER 0.0013mm NICKEL

ORDER INFORMATION:

PH1900-P0202X-1280

PH: PIN HEADER

1900: SERIES NO., TOTAL LENGTH, 19.00mm

P: PCB TYPE STRAIGHT

O2: NO. OF PINS PER ROW

O2: NO. OF ROW

X: TERMINAL PLATING OPTION

N: NICKEL PLATING

T: TIN PLATING

1280: POST HEIGHT, 12.80mm

TOLERANCES UNLESS OTHERWISE SPECIFIED ±0.25			SIGNATURES		DATE	MODEL
			DRAWN	AARON	30/MAR/12'	TITLE
SYMBOL △	UNIT mm	SCALE 2/1	CHECKED	PEGGY	30/MAR/12'	NO. PH1900-P0202_-1280
			APPROVALS			

MMT CORPORATION